

Ten Control Ports MP3 player Board (Built in Amplifier)

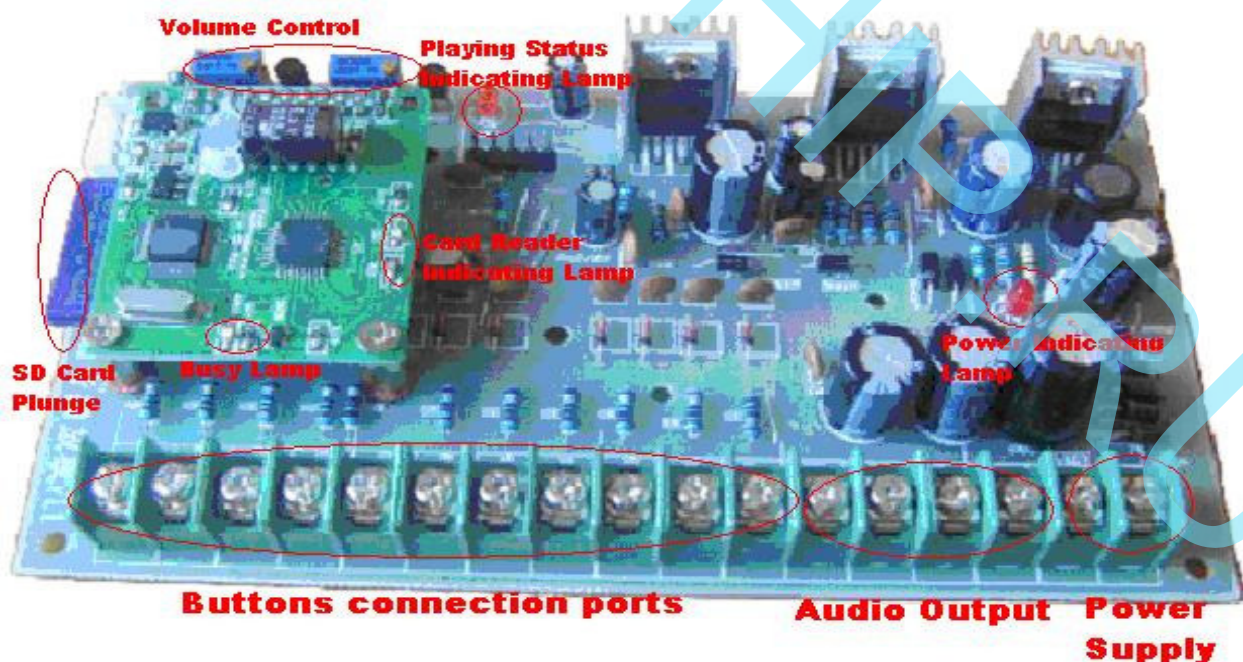
1.Features

- Supports MP3 format, stereo audio output
- Supports for 32Mb to 1GB of SD card.
- Update MP3 files to SD card directly and easily
- DAC 24bit/s stereo, 196KHz audio decoder.
- Powerful anti-jamming with stable performance
- Play 10 different mp3 files by corresponding connected buttons/ switches

2.Technical Parameters

- * Operating voltage: AC8 ~ 18V, or DC8~18V
- * Rated output: 10W × 2 (RL = 8Ω d = 1%)
- * Frequency response: 20 ~ 20 KHz
- * Voltage noise: ≤ 50MV
- * S/N(signal to noise ratio): ≥ 86db
- * Plate Size: 150 × 80mm

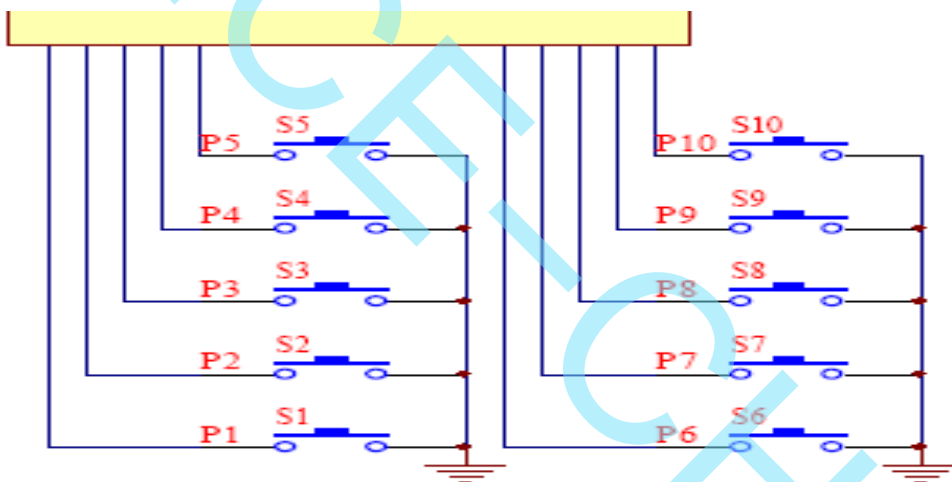
3.Product picture



Explanation:

- Power Supply: AC or DC voltage range: 8 - 18V.
- Audio Output: 10W × 2, 8Ω.
- Buttons connection ports : Connect 10 buttons, play 10 different mp3 files individually
- Power Indicating Lamp: It will be on when powered the board
- Play Status Indicating Lamp: It will be bright when there is output audio output
- The Left and Right Volume Control: Adjust the audio volume for the R and L channel
- SD Card slot: Inserting the SD card with the right direction.
- Card Rader Indicating Lamp: It will be on when the device can work with the SD card
- Busy Indicating Lamp: Use for playing status indication .It will bright when it is playing.

4. Buttons connections



Connect 10 buttons for playing 10 different mp3 files in the SD card .

5.How to copy the mp3 files to the SD card

Creating a new folder and rename it to “ advert01” on computer ,(the device only can play the file in this “advert01” folder.



Put the mp3 files into advert01, which will play on the board. And rename the mp3 file to 001XX.mp3 , 002XX.mp3 ,003XX.mp3..... See following picture . Button S1 play 001XX.mp3 , Button S2 play 002xx.mp3Button S10 play 010xx.mp3.



New a txt file in folder "advert01" and open the txt file and input number " 1 " ,then save .
And rename the file name to "cof.mp3" , this is the system file , the device will not play it
Before copy the "advert01" folder from PC to the SD , please format the SD card to FAT format .
And SD card should be 32MB / 64MB/ 128MB /256MB / 512MB / 1GB Device will not work with FAT32
system .